

Ekomille CO₂



Ekomille with CO₂ method of suppression, for rodent control with no pain.

Ekomille CO₂, with a carbon dioxide supply system, for painless control of pest rodents is an electromechanical device for capturing, continuous and effective, of all species of synanthropic pest rodents (mice and rats). Thanks to its structure characteristics it ensures hygiene, safety and ecology. The equipment is operated in a natural way without the use of harmful substance, dangerous for human health, but taking advantage of the ethology of pests. The rodent, attracted by natural priming, is captured instantly just trying to eat. Very sensitive electromechanical devices allow immediate, multiple and continuous catch.

Ekomille CO₂ is a device for the control of pest rodents, having an upper section for access and capture and a lower section for containment and suppression of the captured species, hermetically closed. The electromechanical system with a rotating trap-door, interposed between the two sections, is activated by a presence detection sensor (located in the upper section) and is connected to a CO₂ gas supply system, which delivers a quantity of gas after each capture, immediately after closing the trap-door. Ekomille CO₂ is a device for professional use.

The main advantage is given by the fact that **CO₂** is a **low-risk biocide**, according to EU Regulation 528/12 (Biocides). Other advantages can be listed as follows:

- the use of CO₂, as a biocide, guarantees full compliance of the legislation on "animal welfare" and a painless and rapid suppression of pest rodents.
- the use in the right quantities and the natural composition of the biocide used (CO₂ is also used in the food sector for the most varied uses including the production of sparkling drinks) makes the system completely eco-compatible and safe in full compliance with current regulations.

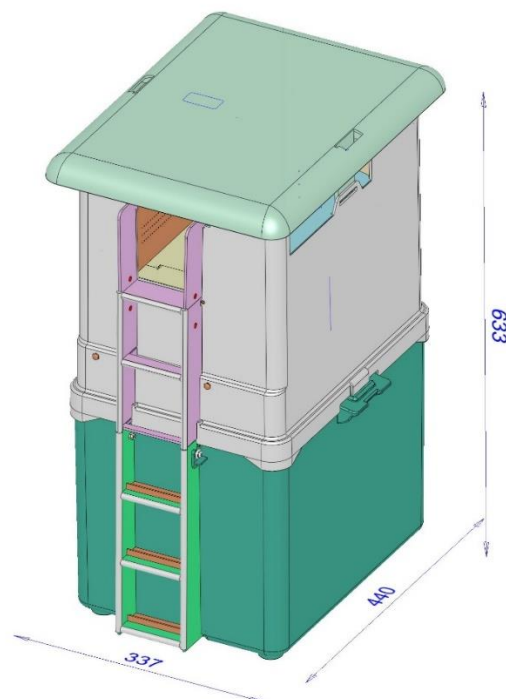
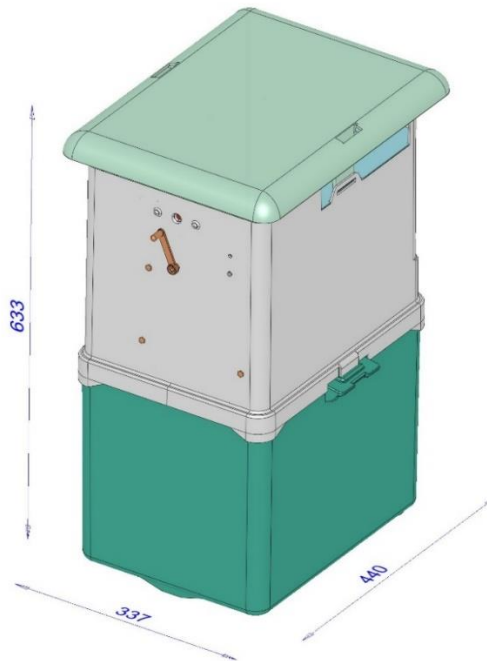
Short description of the CO₂ system

“The CO₂, in direct contact with the captured rodent, first puts it to sleep, then it faints and immediately afterwards, absolutely unconscious, is painlessly suppressed. The suppression, therefore, occurs by hypoxia, within a very short time, through depression of the central nervous system. The standard system with can used in the Ekomille CO₂ consists of a pressurized can with shut-off valve and an electromechanical system that controls the gas supply, in the times and in the programmed ways. The CO₂ can is introduced into the appropriate housing and fixed. It guarantees a maximum of 10 catches. The specific characteristics of the can do not require additional control equipment such as: pressure gauge, pressure reducer, indicator valve, solenoid valve. The system does not require adjustment. **The timer inserted in the electronic circuit is set in the factory for a delivery time of 5 seconds.** This allows enough quantities of CO₂ able to reach a concentration higher than 60% and suppress the trapped pest rodent, in less than a minute (less than 60 seconds). Once the capture has taken place, the device

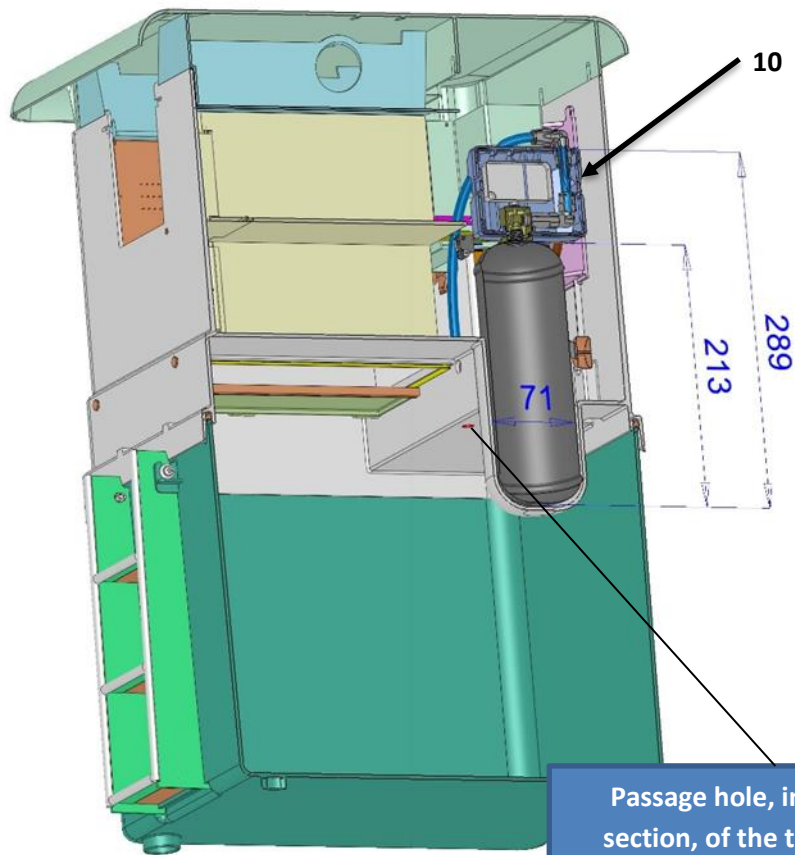
automatically positions itself in stand-by, ready for a new capture. Only the CO₂ cans supplied by manufacturer should be used into the device.”

For waste management procedures refer to Italian and European legislation (DLgs 152/06 + atp and Directive 2008/98/CE).

Ekomille CO₂: front and back view



Ekomille CO₂: system/can CO₂



Passage hole, in the lower section, of the tube for CO₂ delivery

CO₂ dispensing system

- new integrated electronic circuit
- cable lugs M-F with non-reversible polarity
- CO₂ dispensing mechanism
- brass actuator (1)
- elbow fitting (2)
- connection pipe fittings cm 5,5 (3)
- elbow fitting (4)
- connection pipe fittings cm 6,5 (5)
- elbow fitting (6)
- connection pipe cm 21,5 (7)
- straight fitting (8)
- elbow fitting (9)
- container box CO₂ dispensing mechanism (10)

base Ekomille CO₂ upper section

